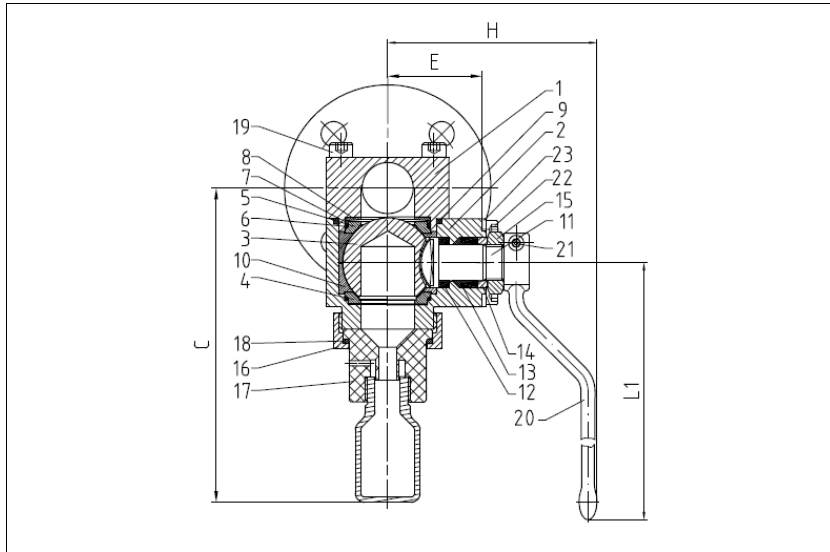


BALL VALVES INTEC

K741, DN15 - DN200, PN16/40

Sample volume per switch 40, 50 or 70 ml,
metal seated



No.	Part	Material
1	adapter	1.4571/1.4404/1.4408
2	body	1.4571/1.4404/1.4408
3	ball	1.4571/1.4404 hard facing metal coated
4	seat exit port	1.4571/1.4404 hard facing metal coated
5	seat entry port	1.4571/1.4404 hard facing metal coated
6	bearing ring seal	KF
7	follower ring	1.4571/1.4404
8	plate spring	Inconel 718
9	body seal	KF
10	spherical cap	1.4571/1.4404
11	stem	1.4462
12	below seal	KFGN/Graphite
13	upper seal	KFAM/Graphite
14	upper stem bearing	PEEK
15	hex. screw self-locking	A2/1.4301
16	cap nut	1.4301
17	bottle adapter	KFGN
18	o-ring	Viton
19	allen screw	A4-70
20	lever	1.4408
21	allen screw	A2-70
22	allen screw	A2-70
23	stopper	1.4301

Dimensions

DN mm	PN	dimensions (mm)		L (GR.1)	L (GR.27)	D	E	C sample bottle		
		H	L1					50 ml (GL32)	100 ml (GL45)	250 ml (GL45)
15	16/40	125.5	360	160**	-	95	66.5	227	238	275
20	16/40	125.5	360	160**	-	105	66.5	227	238	275
25	16/40	125.5	360	160	-	115	66.5	227	238	264
32	16/40	125.5	360	180	-	140	66.5	228	239	272
40	16/40	125.5	360	200	140	150	66.5	231	242	275
50	16/40	125.5	360	230	150	165	66.5	237	248	281
65	16/40	225.5*	360	290	170	185	66.5	244	255	288
80	16/40	225.5*	360	310	180	200	66.5	252	263	296
100	16/40	225.5*	360	350	190	200/235	66.5	269	280	313
125	16/40	225.5*	360	-	325	250/270	66.5	284	295	328
150	16/40	225.5*	360	-	350	285/300	66.5	299	310	343
200	16/40	225.5*	360	-	400	340/375	66.5	334	345	378

* incl. 100 mm stem extension.

Protection box, safety cover and/or heating jacket on request.

** special lengths.

- special material on request.

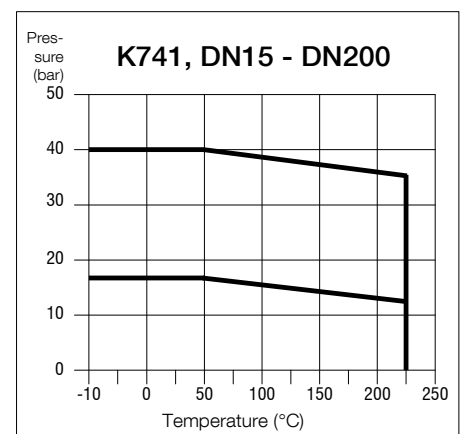
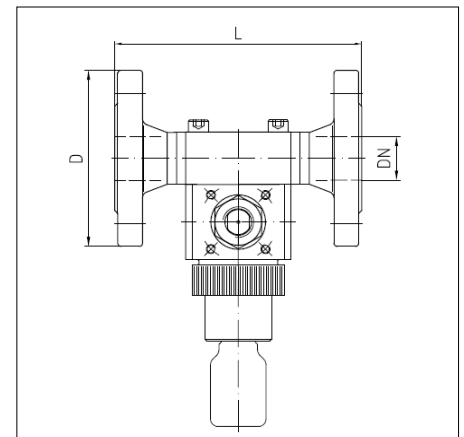
Sampling device ball valve
with flanges acc. to EN 1092
connection thread for sample bottle
acc. to DIN 168 GL 25, GL 32, GL 45
full bore
face to face acc. to EN 558, GR. 1
face to face acc. to EN 558, GR. 27

Specification:

Sampling device ball valve with flanges acc. to EN 1092, connection thread for sample bottle acc. to DIN 168 GL 25, GL 32, GL 45, face to face dimensions acc. to EN 558, GR.1/GR.27, full bore, blow-out-proof stem, body material stainless steel (1.4571/1.4404/1.4408), antistatic device, free of non ferrous metals, ball with pocket hole for a defined sample volume of 40, 50, 70 ml, cavity reduced through spherical cap, seats 1.4571/1.4404 hard facing metal coated, top flange DIN EN ISO 5211, approved by PED, certified acc. to GERMAN clean air act VDI 2440, with lever.

High-temperature design up to +400°C on request.

Marking: INTEC K741



Ordering example:
INTEC K741, DN50, PN16, GR.1,
50 ml, GL 32